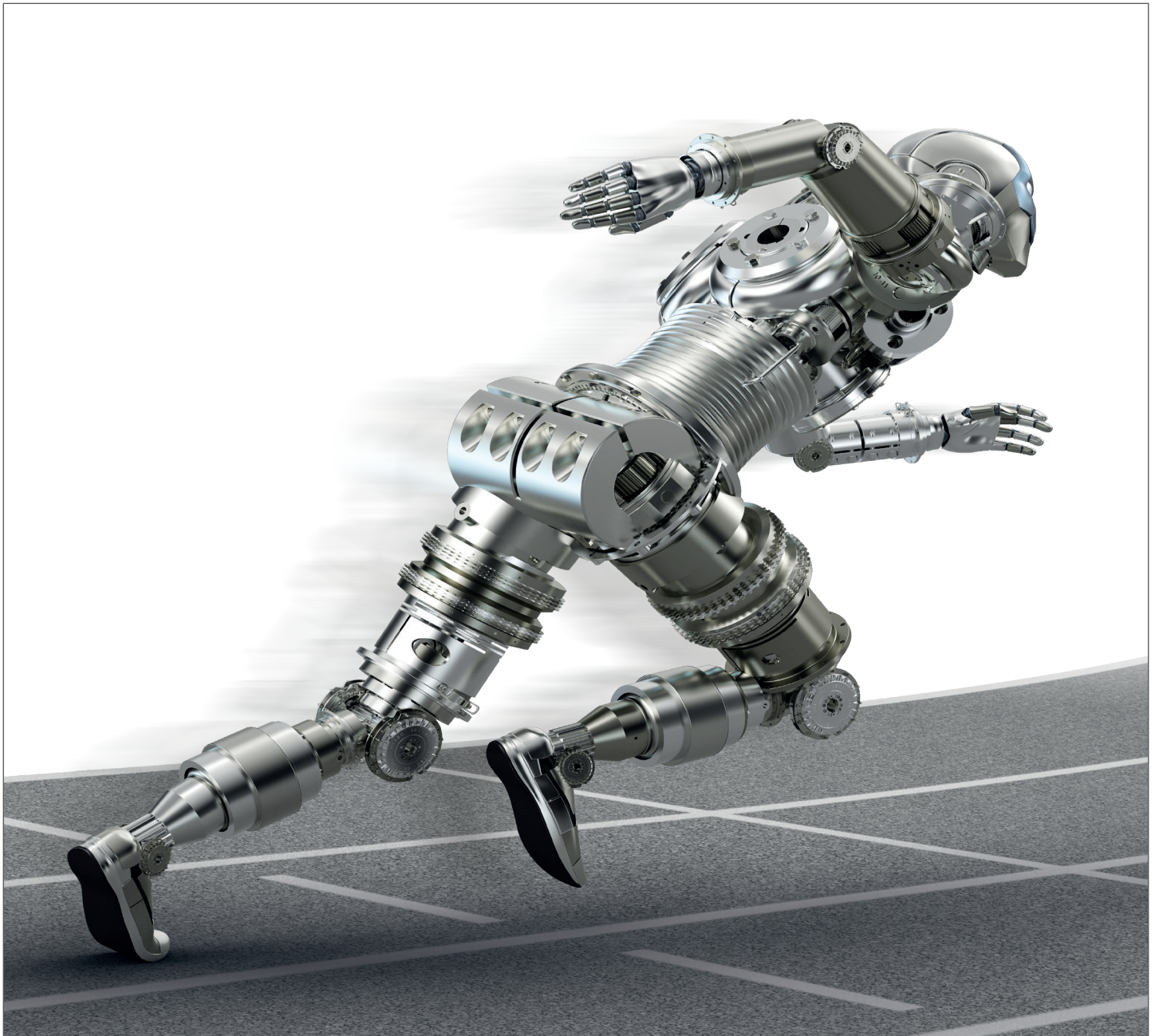




THE INNOVATIVE COMBINATION
OF FORCE AND POWER





TRADITION

A GUARANTEE FOR INNOVATION AND QUALITY

DESCH was established in 1906 and from the very beginning was managed by the Desch family and successfully positioned for the future. DESCH is an international company in advanced mechanical and plant engineering that is proud of its roots in the Sauerland region of Germany. As a market-leading drive technology partner, we provide innovative, customized, complete solutions along the entire drive train. Our name stands for the highest quality and top of the line service.

Heinrich Desch sen.



Geschäftsleitung
1906-1943

Heinrich Desch jun.



Geschäftsleitung
1943-1967

Alexander P. Desch



Management
1967-2009



Hendrik Desch
CEO DESCH North America



INDUSTRIES

CUSTOMIZED, COMPLETE SOLUTIONS FOR MANY INDUSTRIES.

We design and produce drive solutions and provide complete solutions for just about every industry. Moreover, we develop future-oriented technologies such as drives for tidal power plants, which transform ocean currents into energy. We know our customers' markets, in which customized and flexible solutions are becoming more and more important. The cutting-edge technology of our precision drives and our expertise in consultation and service are valued all over the world.



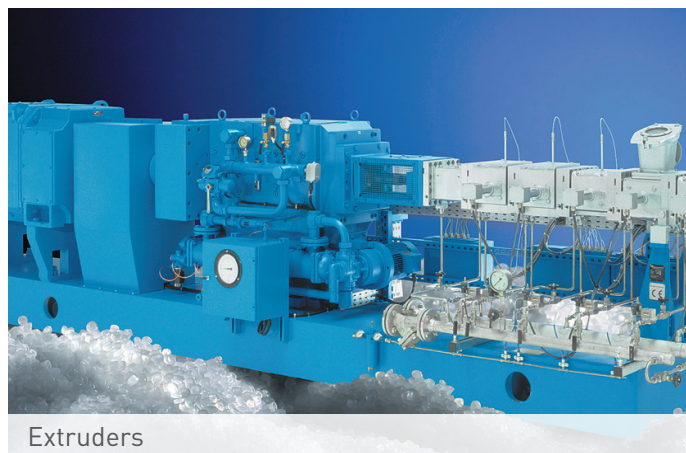
Press drives



Construction machinery



Machine tools



Extruders



Power



Shipbuilding

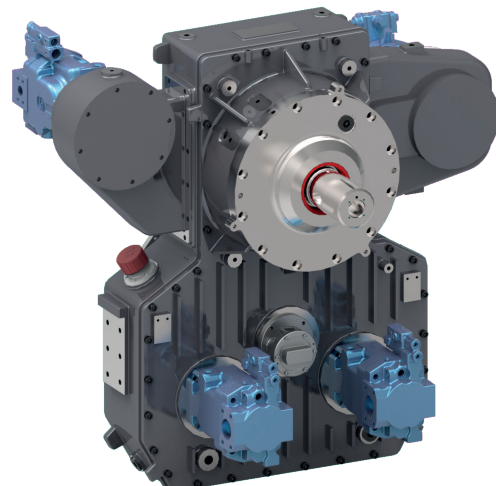
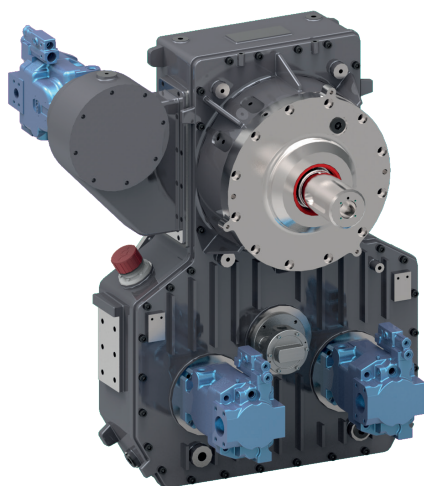
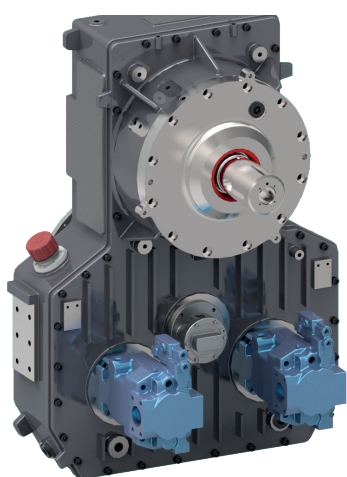
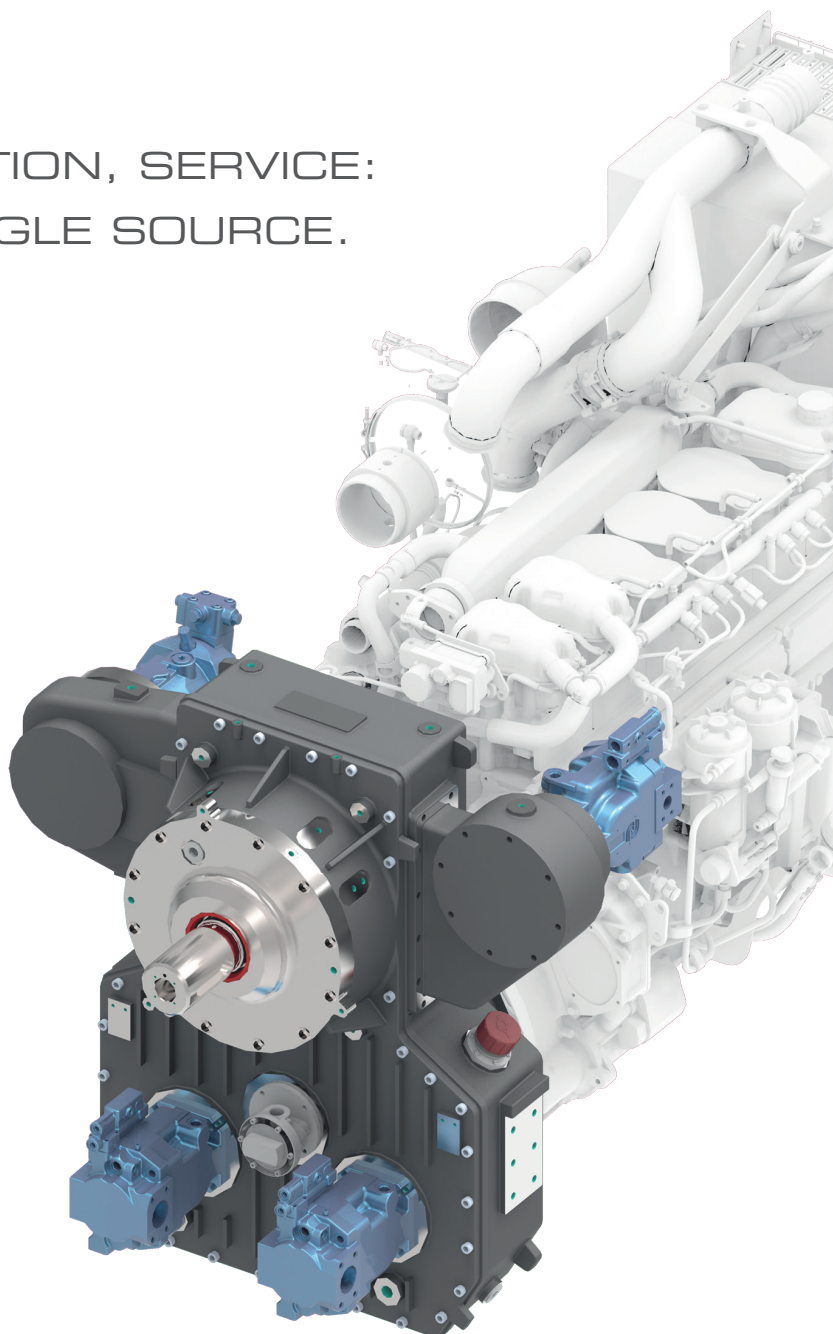


INNOVATIONS

IDEAS, DESIGN, PRODUCTION, SERVICE: EVERYTHING FROM A SINGLE SOURCE.

From the idea to design and production, on to assembly and followed by service – with us, you get everything from a single source. For us, intensive discussion with our customers forms the foundation for the further development of our products and services. We get started while others are still thinking about it.

For advanced mechanical and plant engineering, we develop and produce planetary and special gearboxes, press drives, and innovative clutch technologies and we keep an extensive range of product series of standard drive elements in stock.



Revox® crusher drive



QUALITY

OUR INTERNAL DRIVE: ALWAYS PRODUCE THE BEST.

To be successful on the global market, we're expanding our technical advantage with continuous innovation. We kept this aspiration in mind with our new development center, which is one-of-a-kind in its class. The test stands are located on vibration-free foundations in climate-controlled rooms. We designed and built all of the test stands ourselves. Each of our safety clutches and each of our gears are tested here. The test stand for complete press drives and the clutch grinding test stand are the largest of their kind in the world and include unique, computer-monitored testing technology. We invest heavily in machines, service and the initial and advanced training of our employees in order to offer you steadily increasing benefits. Our "high class" production implements innovative ideas at the highest level of quality.





SOLUTIONS

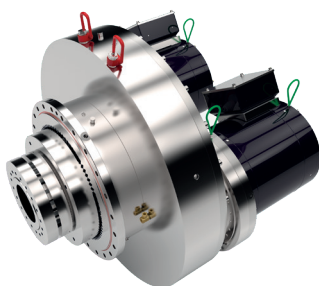
MORE THAN THE SUM OF THE PARTS. WE SUPPLY THE OPTIMUM COMBINATION.

We enjoy recognition worldwide as a leader in expertise with regard to our customized solutions. Moreover, we keep an extensive range of product series of drive elements and innovative coupling technology in stock. No matter if you need a building block solution or a specialized one – we realize an innovative product through combination and synchronization. Think smart – SyncDESCH.

With a wide-ranging product spectrum and our service offers, we cover the requirements of drive technology at the interface between the drive machinery and the processing machinery: from belt drive to shaft bearing and rigid or flexible connections, on to couplings and brakes with proven clutch or braking systems and even power boosting with highly developed gearbox technologies – we offer you the optimum solution.



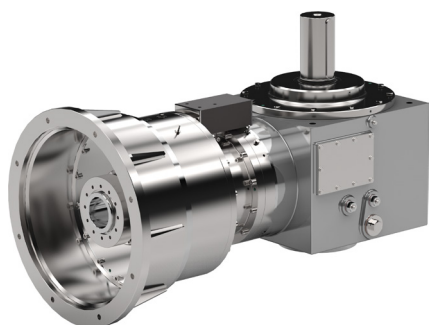
Complete drive for presses



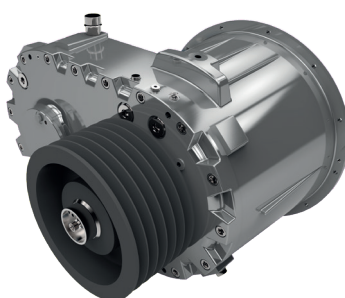
Servo press drive Servox® DS



Azimut gearbox



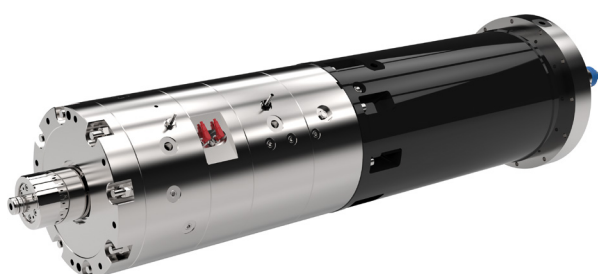
Rotary table drive Denox® DT with motor



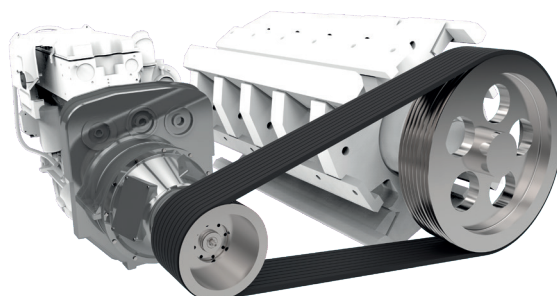
Revox® crusher drive



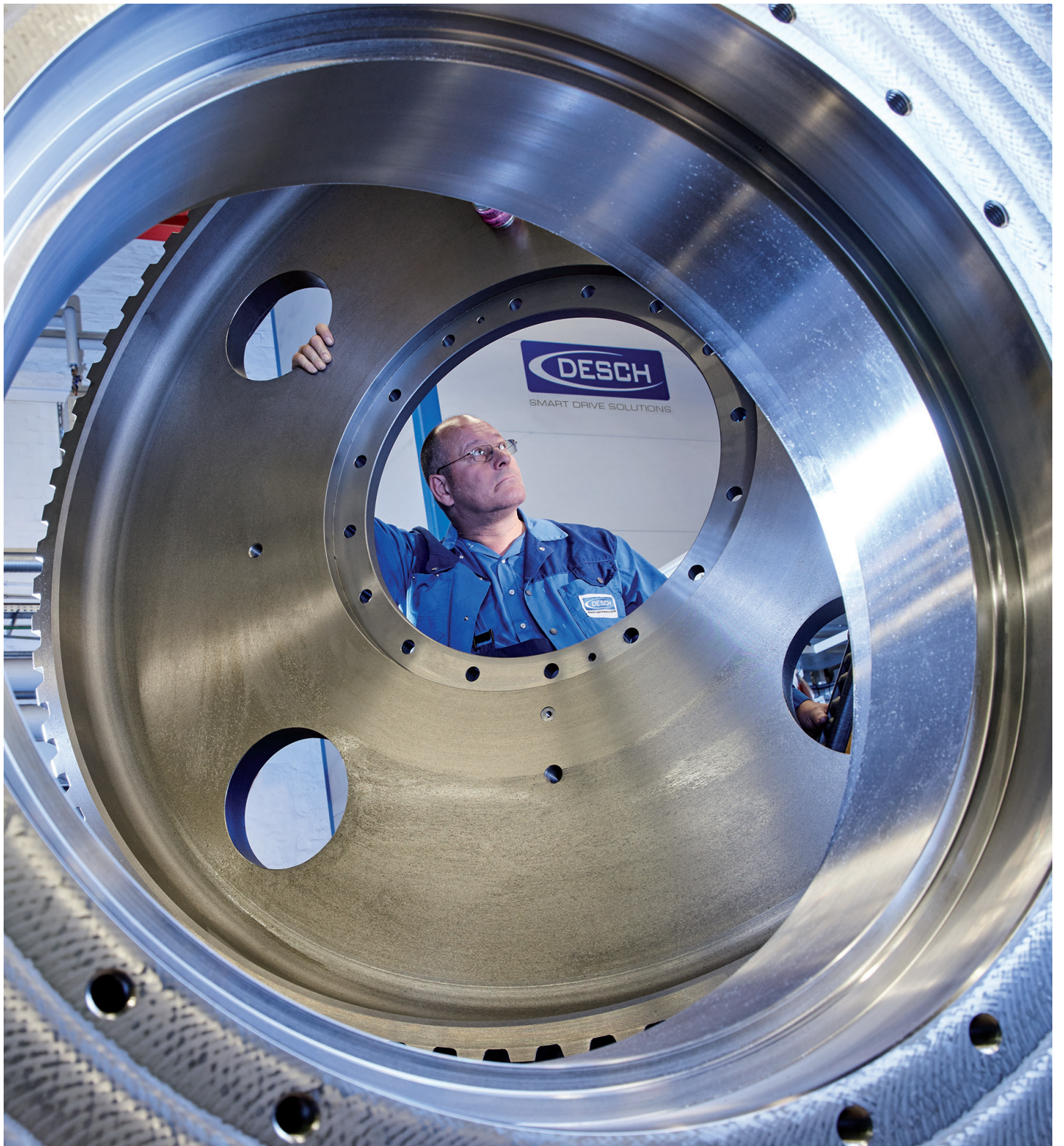
Planox® transmission



Spindle gearbox Denox® HS



Belt drive with Planox® clutch

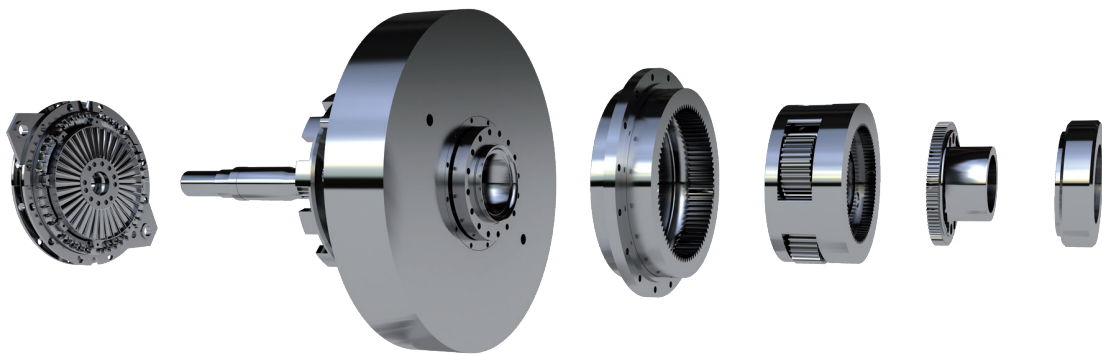


DESCH
SMART DRIVE SOLUTIONS

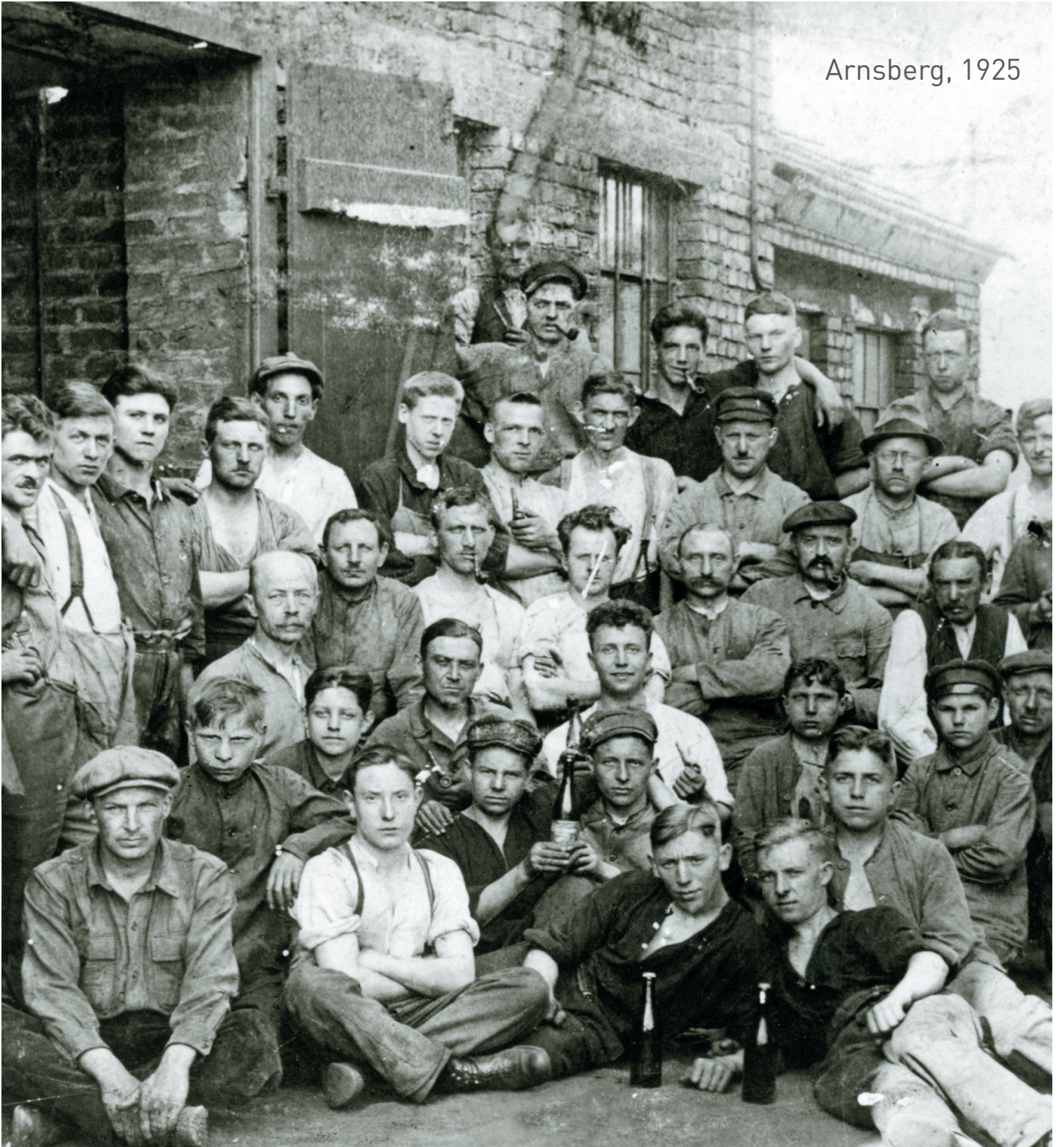
WORLDWIDE

WE PUT OUR PLANET INTO MOTION. WORLDWIDE -
AND ALWAYS CLOSE TO WHERE YOU ARE.

Our teams are working all over the world to be close to you. The DESCH group of companies is known for its ambitious and open company culture, which enables our employees to develop their capabilities, talents and potential to the maximum and to use them to reach our company goals and on behalf of you, our customers.



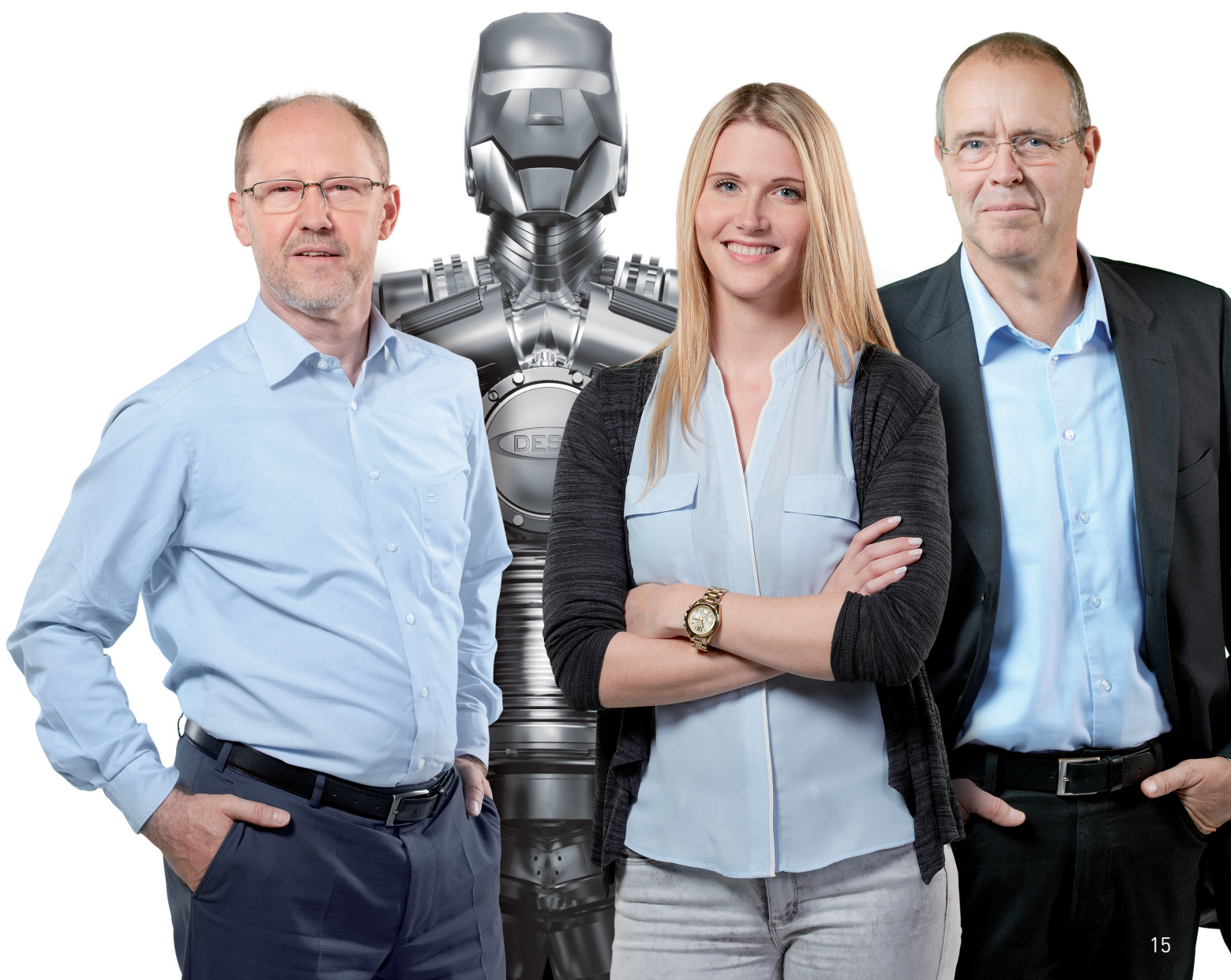
Arnsberg, 1925



TEAMWORK

SINCE 1906, THE MOST IMPORTANT PART OF OUR COMPANY: OUR EMPLOYEES.

Sustainable success is achieved with excellent teams. Since the establishment of our company, qualified, motivated and high-performing employees have been the key to our success. Our employees, often in the second and third generations of families who have worked for us, have innovative capabilities, a wealth of ideas and professional qualifications that are demonstrated in many patents and utility models as well as in our system for improvement. Our employees are looking forward to a successful cooperation with you.





Contact

DESCH Canada Ltd.
240 Shearson Crescent
Cambridge, Ontario, Canada N1T 1J6
T +1800 263 1866
T +1519 621 4560
F +1519 623 1169
desch.canada@desch.com

